



RAYSTAR

RAYSTAR Optronics, Inc.  
曜凌光電股份有限公司



# 曜凌光電股份有限公司 Raystar Optronics, Inc.

42881台中市大雅區科雅路25號5樓  
5F, No. 25, Keya Road, Daya Dist., Taichung City 42881, Taiwan  
T : +886-4-2565-0761 | F : +886-4-2565-0760  
sales@raystar-optronics.com | www.raystar-optronics.com

## RFF500F-AYW-LNS

### SPECIFICATION

CUSTOMER:

<b>APPROVED BY</b>	
<b>PCB VERSION</b>	
<b>DATE</b>	

FOR CUSTOMER USE ONLY

<b>SALES BY</b>	<b>APPROVED BY</b>	<b>CHECKED BY</b>	<b>PREPARED BY</b>

Release DATE:

TFT Display Inspection Specification: <https://www.raystar-optronics.com/download/products.htm>  
Precaution in use of TFT module: <https://www.raystar-optronics.com/download/declaration.htm>

## Revision History

VERSION	DATE	REVISED PAGE NO.	Note
0	2020/08/07		First issue
A	2021/04/30		Modify IC information.
B	2021/07/05		Correct Aspect Ratio

RAYSTAR OPTRONICS

# Contents

1. Module Classification Information
2. Summary
3. General Specification
4. Interface
5. Contour Drawing
6. Absolute Maximum Ratings
7. Electrical Characteristics
8. Power ON/OFF Sequence
9. LVDS Interface
10. Optical Characteristics
11. Reliability
12. Touch Panel Information
13. Other



---

## 2.Summary

TFT 5.0" is a is a color active matrix thin film transistor (TFT) liquid crystal display (LCD) that uses amorphous silicon TFT as a switching device. This TFT LCD has a 5.0 inch diagonally measured active display area with 800x480 (800 horizontal by 480 vertical pixel) resolution.

RAYSTAR OPTRONICS

---

### 3. General Specifications

- Size: 5.0 inch
- Dot Matrix: 800× 3(RGB) × 480 dots
- Module dimension: 120.7(W) ×75.8(H) ×4.3 mm
- Active area: 108(W) ×64.8 (H) mm
- Dot pitch: 0.135(W) ×0.135(H) mm
- LCD type: TFT, Normally Black, Transmissive
- View Direction: 80/80/80/80
- Aspect Ratio: 5:3
- Driver IC : ST7262 or equivalent
- Interface: LVDS
- Backlight Type: LED ,Normally White
- With /Without TP: With RTP
- Surface: Anti-Glare

\*Color tone slight changed by temperature and driving voltage.

## 4.Interface

### 4.1. LCM PIN Definition

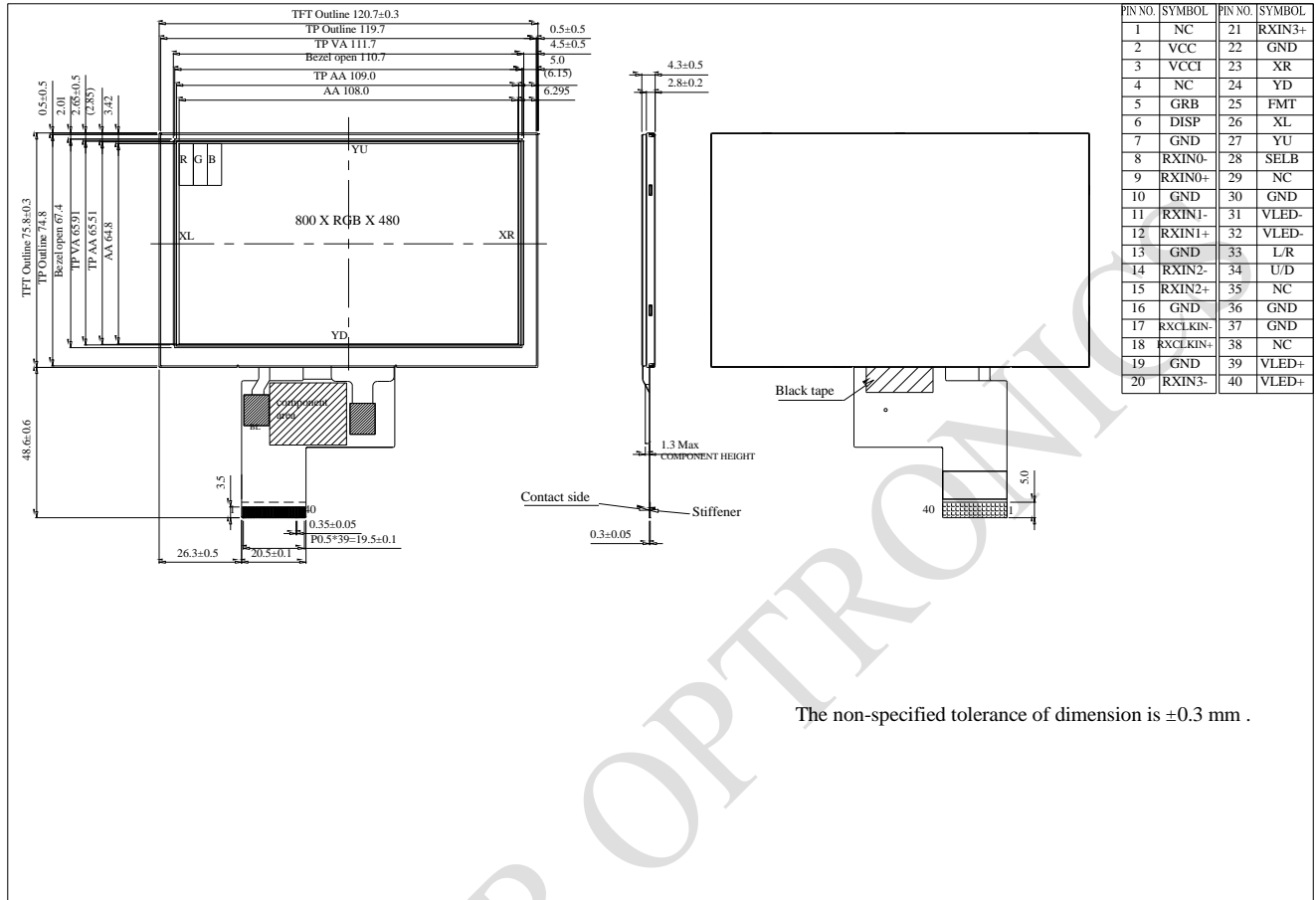
FPC Connector is used for the module electronics interface.

Pin	Symbol	Function	Remark						
1	NC	No connection							
2	VCC	Power voltage							
3	VCCI	Power supply for digital I/O pins.							
4	NC	No connection							
5	GRB	Global reset pin. When GRB is “L” , internal initialization procedure is executed							
6	DISP	Display on/off							
7	GND	Power Ground							
8	RXIN0-	LVDS input lane: RX0-/ RX0+							
9	RXIN0+								
10	GND	Power Ground							
11	RXIN1-	LVDS input lane: RX1-/ RX1+							
12	RXIN1+								
13	GND	Power Ground							
14	RXIN2-	LVDS input lane: RX2-/ RX2+							
15	RXIN2+								
16	GND	Power Ground							
17	RXCLKIN-	LVDS input lane, detail pin define please refer to LVDS Input Pin Mapping Table.							
18	RXCLKIN+								
19	GND	Power Ground							
20	RXIN3-	LVDS input lane: RX3-/ RX3+							
21	RXIN3+								
22	GND	Power Ground							
23	XR	Right electrode							
24	YD	Bottom electrode							
25	FMT	LVDS_FMT sets LVDS data format.							
		<table border="1"> <thead> <tr> <th>LVDS_FMT</th> <th>Function Description</th> </tr> </thead> <tbody> <tr> <td>L</td> <td>VESA Mode(Default)</td> </tr> <tr> <td>H</td> <td>JEIDA Mode</td> </tr> </tbody> </table>	LVDS_FMT	Function Description	L	VESA Mode(Default)	H	JEIDA Mode	
		LVDS_FMT	Function Description						
L	VESA Mode(Default)								
H	JEIDA Mode								
LVDS_FMT is not used in RGB interface and should be									



		connected to “L” .														
26	XL	Left electrode														
27	YU	Top electrode														
28	SELB	SELB sets VSYNC polarity in RGB interface and sets LVDS 3- / 4- lane in LVDS interface.														
		<table border="1"> <thead> <tr> <th>MCU Type</th> <th>VDPOL</th> <th>Function Description</th> </tr> </thead> <tbody> <tr> <td rowspan="2">RGB interface</td> <td>L</td> <td>VSYNC polarity: positive</td> </tr> <tr> <td>H</td> <td>VSYNC polarity: negative(Default)</td> </tr> <tr> <td rowspan="2">LVDS interface</td> <td>L</td> <td>LVDS 3 lane</td> </tr> <tr> <td>H</td> <td>LVDS 4 lane(Default)</td> </tr> </tbody> </table>	MCU Type	VDPOL	Function Description	RGB interface	L	VSYNC polarity: positive	H	VSYNC polarity: negative(Default)	LVDS interface	L	LVDS 3 lane	H	LVDS 4 lane(Default)	
		MCU Type	VDPOL	Function Description												
		RGB interface	L	VSYNC polarity: positive												
			H	VSYNC polarity: negative(Default)												
LVDS interface	L	LVDS 3 lane														
	H	LVDS 4 lane(Default)														
29	NC	No connection														
30	GND	Power Ground														
31-32	VLED-	Power for LED backlight (Cathode)														
33	L/R	Horizontal scan direction control pin. This pin must be connected to “H” or “L” according to system application														
		<table border="1"> <thead> <tr> <th>HDIR</th> <th>Function Description</th> </tr> </thead> <tbody> <tr> <td>L</td> <td>From right to left</td> </tr> <tr> <td>H</td> <td>From left to right(Default)</td> </tr> </tbody> </table>	HDIR	Function Description	L	From right to left	H	From left to right(Default)								
		HDIR	Function Description													
		L	From right to left													
H	From left to right(Default)															
34	U/D	Vertical scan direction control pin. This pin must be connected to “H” or “L” according to system application.														
		<table border="1"> <thead> <tr> <th>VDIR</th> <th>Function Description</th> </tr> </thead> <tbody> <tr> <td>L</td> <td>From down to up.</td> </tr> <tr> <td>H</td> <td>From up to down. (Default)</td> </tr> </tbody> </table>	VDIR	Function Description	L	From down to up.	H	From up to down. (Default)								
		VDIR	Function Description													
		L	From down to up.													
H	From up to down. (Default)															
35	NC	No connection														
36-37	GND	Power Ground														
38	NC	No connection														
39-40	VLED+	Power for LED backlight (Anode)														

# 5. Contour Drawing



## 6. Absolute Maximum Ratings

Item	Symbol	Min	Typ	Max	Unit
Operating Temperature	TOP	-20	–	+70	□
Storage Temperature	TST	-30	–	+80	□

Note: Device is subject to be damaged permanently if stresses beyond those absolute maximum ratings listed above

- Temp. □60□, 90% RH MAX. Temp. >60□, Absolute humidity shall be less than 90% RH at 60□

RAYSTAR OPTRONICS

## 7. Electrical Characteristics

### 7.1. Typical Operation Conditions

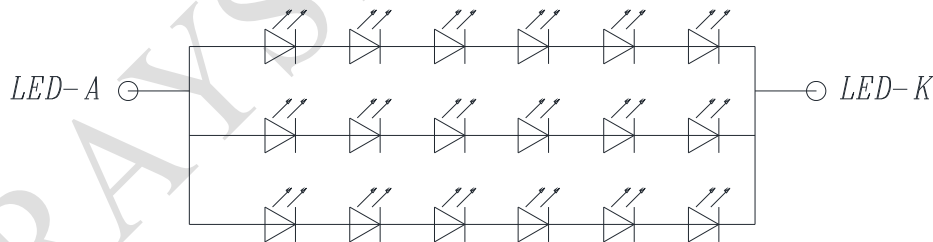
Item	Symbol	Values			Unit	Remark
		Min.	Typ.	Max.		
Power voltage	VCC	3.1	3.3	3.6	V	
Power voltage	VCCI	3.1	3.3	3.6	V	
Current for Driver(Black)	ICC	-	67.6	102	mA	V <sub>cc</sub> =3.3V

### 7.2. Backlight Driving Conditions

Item	Symbol	Values			Unit	Remark
		Min.	Typ.	Max.		
Voltage for LED backlight	VL	16.8	19.2	20.4	V	Note 1
Current for LED backlight	IL	--	60	--	mA	
LED life time	-	--	50,000	-	Hr	Note 2

Note 1: The LED Supply Voltage is defined by the number of LED at Ta=25°C and I<sub>L</sub>=20mA/pcs.

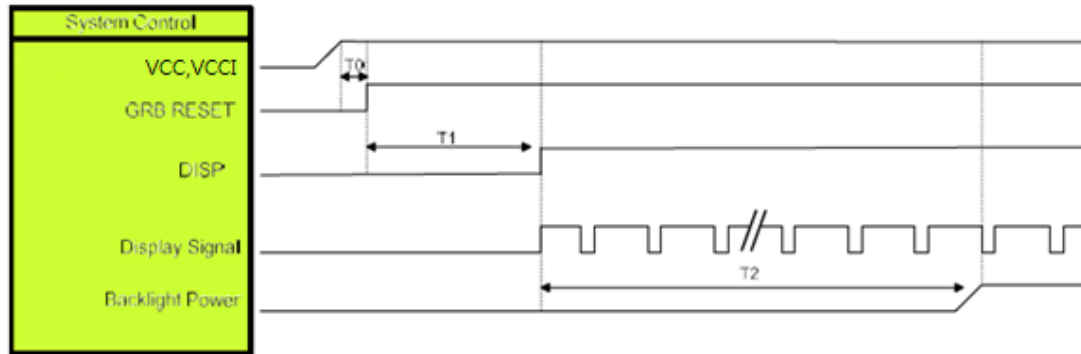
Note 2: The “LED life time” is defined as the module brightness decrease to 50% Original brightness at Ta=25°C and I<sub>L</sub>=20mA/pcs. The LED lifetime could be decreased if operating I<sub>L</sub> is larger than 25mA/pcs.



CIRCUIT DIAGRAM(LED 3\*6=18 DIES)

## 8. Power ON/OFF Sequence

### 8.1. Power On Sequence



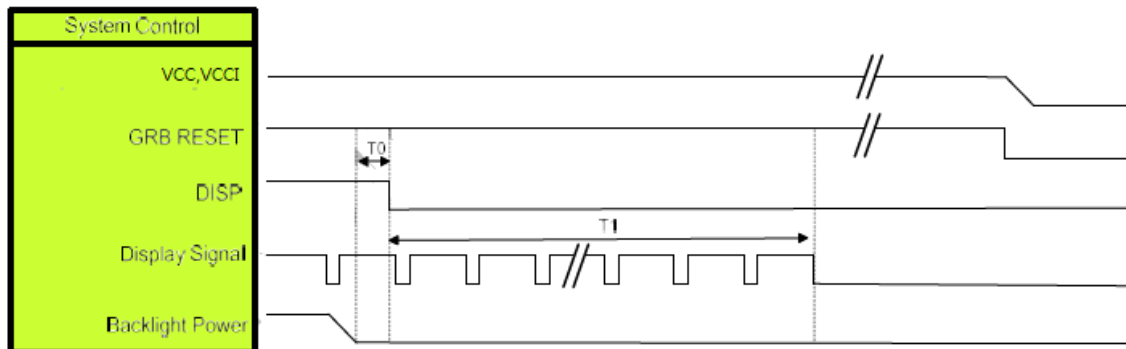
Symbol	Description	Min. Time	Unit
T0	System power stability to GRB RESET signal	0	ms
T1	GRB RESET="High" to DISP="High"	10	ms
T2	Display Signal output to Backlight Power on	250	ms

Note :

1. When DISP pull "H" or "L", IC will execute the internal power on or power off procedures .Please be careful about the timing of DISP and do not interrupt it during power on or power off procedure, otherwise unexpected errors will occur.

2: LVDS interface Display signal: DCLK P/N; RX[3:0] P/N

### 8.2. Power Off Sequence



Symbol	Description	Min. Time	Unit
T0	Backlight Power off to DISP="Low"	5	ms
T1	DISP="Low" to IC internal voltage discharge complete	100	ms

Note :

1. When DISP pull "H" or "L", IC will execute the internal power on or power off procedures. Please be careful about the timing of DISP and do not interrupt it during power on or power off procedure, otherwise unexpected errors will occur.

2. LVDS interface Display signal: DCLK P/N; RX[3:0] P/N

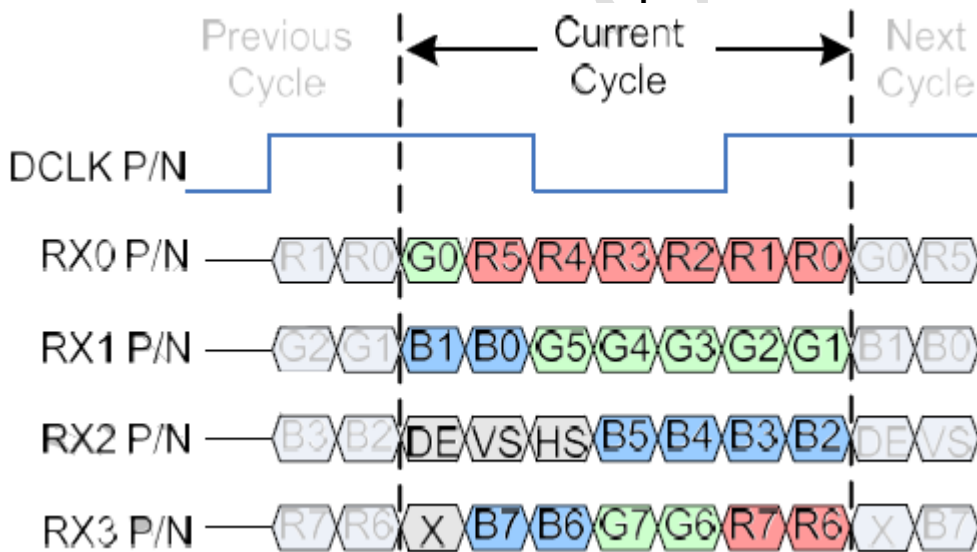
## 9.LVDS Interface

### 9.1. LVDS Input Pin Mapping Table

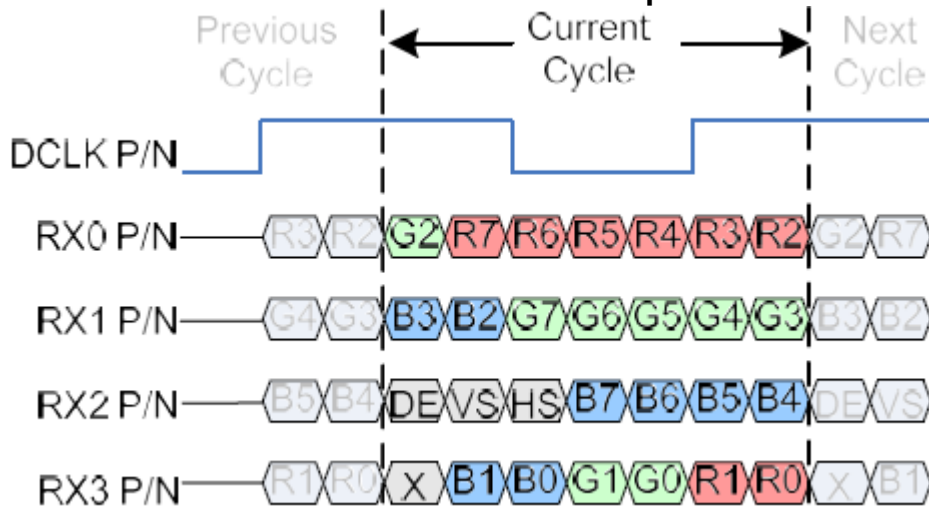
Pin Name RGB (LVDS)	LVDS 3 lane	LVDS 4 Lane
DCLKN	DCLKN	DCLKN
DCLKP	DCLKP	DCLKP
DB0	RX0P	RX0P
DB1	RX0N	RX0N
DB2	RX1P	RX1P
DB3	RX1N	RX1N
DB4	RX2P	RX2P
DB5	RX2N	RX2N
DB6	-	RX3P
DB7	-	RX3N

Note: Symbol “-“ means reserve pin and should fix to “L” by DGND.

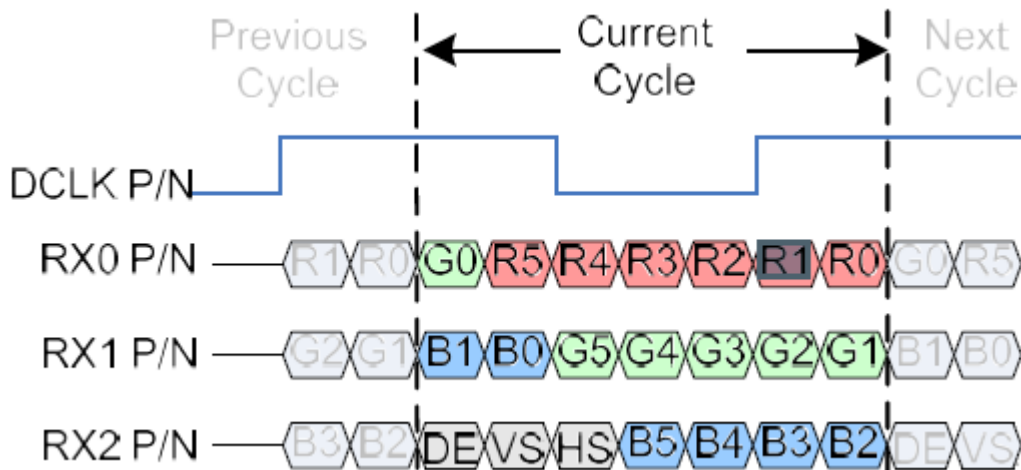
### 9.2. 4 Lane VESA Data Format Color Bit Map



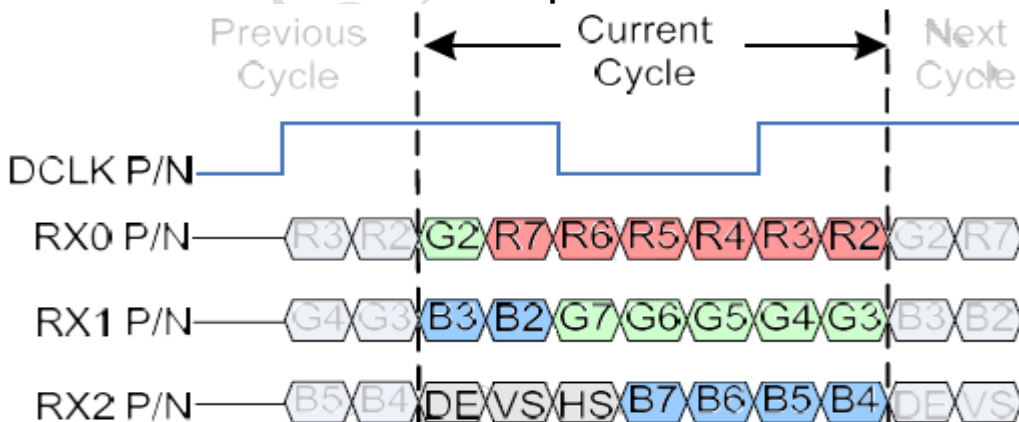
### 9.3. 4 Lane JEIDA Data Format Color Bit Map



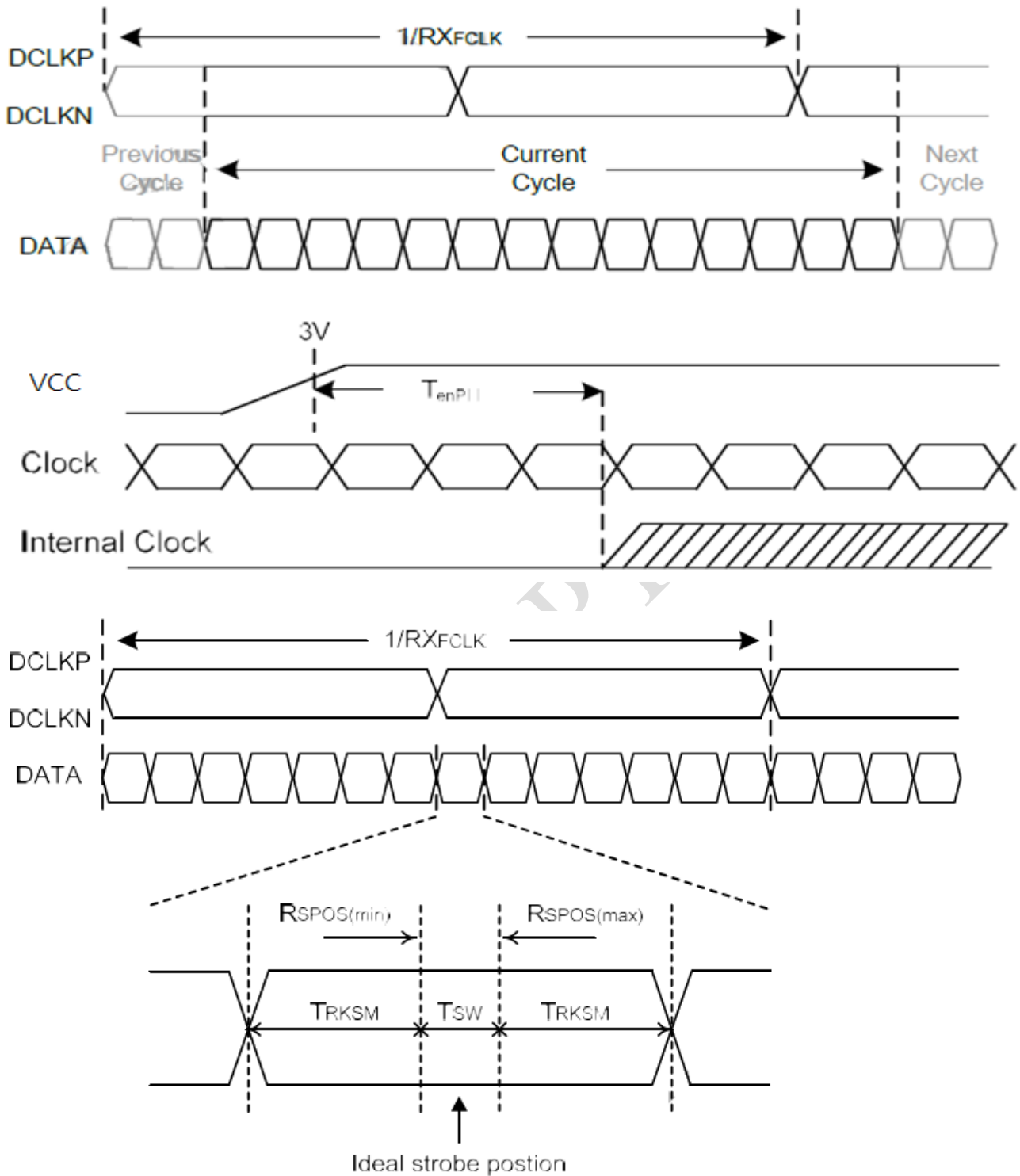
### 9.4. 3 Lane VESA Mode Color Bit Map



### 9.5. 3 Lane JEIDA Mode Color Bit Map



### 9.6. LVDS Input Timing Table





**LVDS Input Timing (VCC=VCCI= 3.3V, GND= 0V, TA=25 °C)**

Item	Symbol	Min.	Typ.	Max.	Unit	Conditions
Clock Frequency	RX <sub>FCLK</sub>	23	25	27	MHz	
Input Data Skew Margin	T <sub>RSKM</sub>	400			ps	
Clock High Time	T <sub>LVCH</sub>	4/(7 x RX <sub>FCLK</sub> )			ns	
Clock Low Time	T <sub>LVCL</sub>	3/(7 x RX <sub>FCLK</sub> )			ns	
PLL Wake-up Time	T <sub>enPLL</sub>			150	us	
LVDS Spread Spectrum Clocking (SSC) Tolerance of LVDS Receiver						
Modulation Frequency	SSC <sub>MF</sub>			100	KHz	
Modulation Rate	SSC <sub>MR</sub>			+/-3	%	

RAYSTAR OPTRON

## 10. Optical Characteristics

Item	Symbol	Condition.	Min	Typ.	Max.	Unit	Remark	
Response time	Tr+Tf	$\theta=0^\circ$ 、 $\phi=0^\circ$	-	30	40	.ms	Note 3	
Contrast ratio	CR	At optimized viewing angle	800	1000	-	-	Note 4	
Color Chromaticity	White	Wx	$\theta=0^\circ$ 、 $\phi=0$	0.27	0.32	0.37	Note 2,6,7	
		Wy		0.295	0.345	0.395		
Viewing angle	Hor.	$\theta_R$	CR $\geq 10$	70	80	-	Deg.	Note 1
		$\theta_L$		70	80	-		
	Ver.	$\phi_T$		70	80	-		
		$\phi_B$		70	80	-		
Brightness	-	-	250	350	-	cd/m <sup>2</sup>	Center of display	
Uniformity	(U)	-	75	-	-	%	Note5	

Ta=25±2°C

Note 1: Definition of viewing angle range

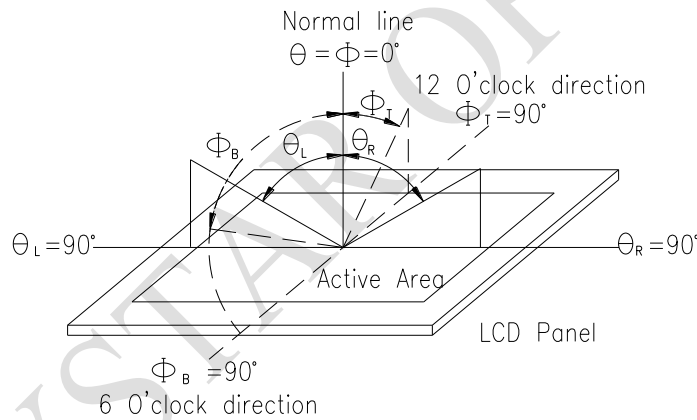


Fig. 10.1. Definition of viewing angle

Note 2: Test equipment setup:

After stabilizing and leaving the panel alone at a driven temperature for 10 minutes, the measurement should be executed. Measurement should be executed in a stable, windless, and dark room. Optical specifications are measured by Topcon BM-7or BM-5 luminance meter 1.0° field of view at a distance of 50cm and normal direction.

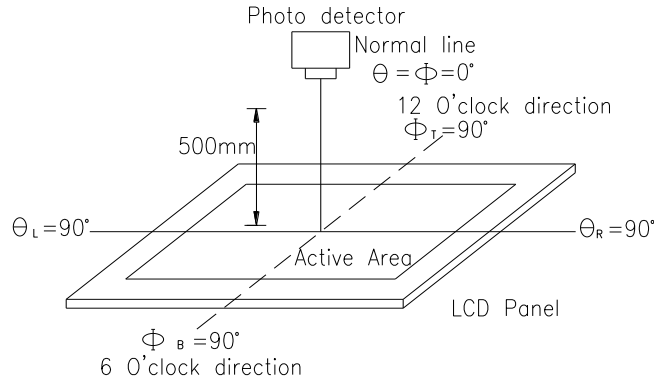
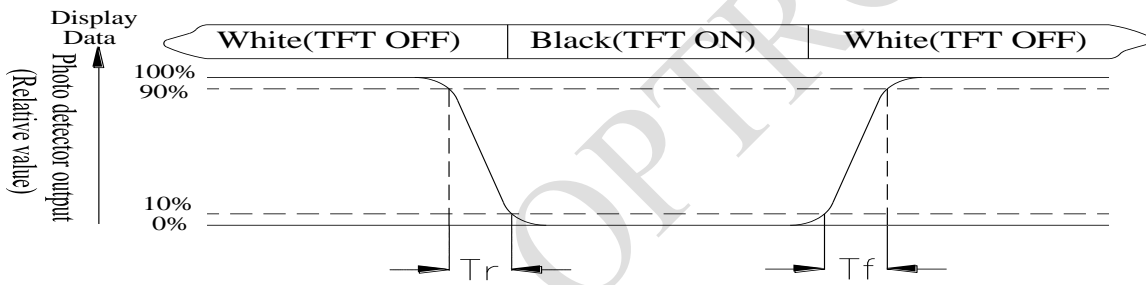


Fig. 10.2. Optical measurement system setup

**Note 3: Definition of Response time:**

The response time is defined as the LCD optical switching time interval between “White” state and “Black” state. Rise time,  $T_r$ , is the time between photo detector output intensity changed from 90% to 10%. And fall time,  $T_f$ , is the time between photo detector output intensity changed from 10% to 90%



**Note 4: Definition of contrast ratio:**

The contrast ratio is defined as the following expression.

$$\text{Contrast ratio (CR)} = \frac{\text{Luminance measured when LCD on the "White" state}}{\text{Luminance measured when LCD on the "Black" state}}$$

**Note 5: Definition of Luminance Uniformity**

Active area is divided into 9 measuring areas (reference the picture in below). Every measuring point is placed at the center of each measuring area.

Luminance Uniformity (U) =  $L_{min}/L_{max} \times 100\%$

L = Active area length

W = Active area width



Fig10.3. . Definition of uniformity

**Note 6: Definition of color chromaticity (CIE 1931)**

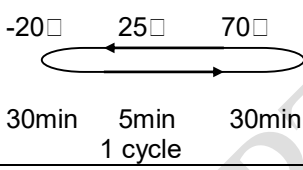
Color coordinates measured at the center point of LCD

**Note 7:** Measured at the center area of the panel when all the input terminals of LCD panel are electrically opened.

RAYSTAR OPTOELECTRONICS

# 11. Reliability

Content of Reliability Test (Wide temperature, -20°C~70°C)

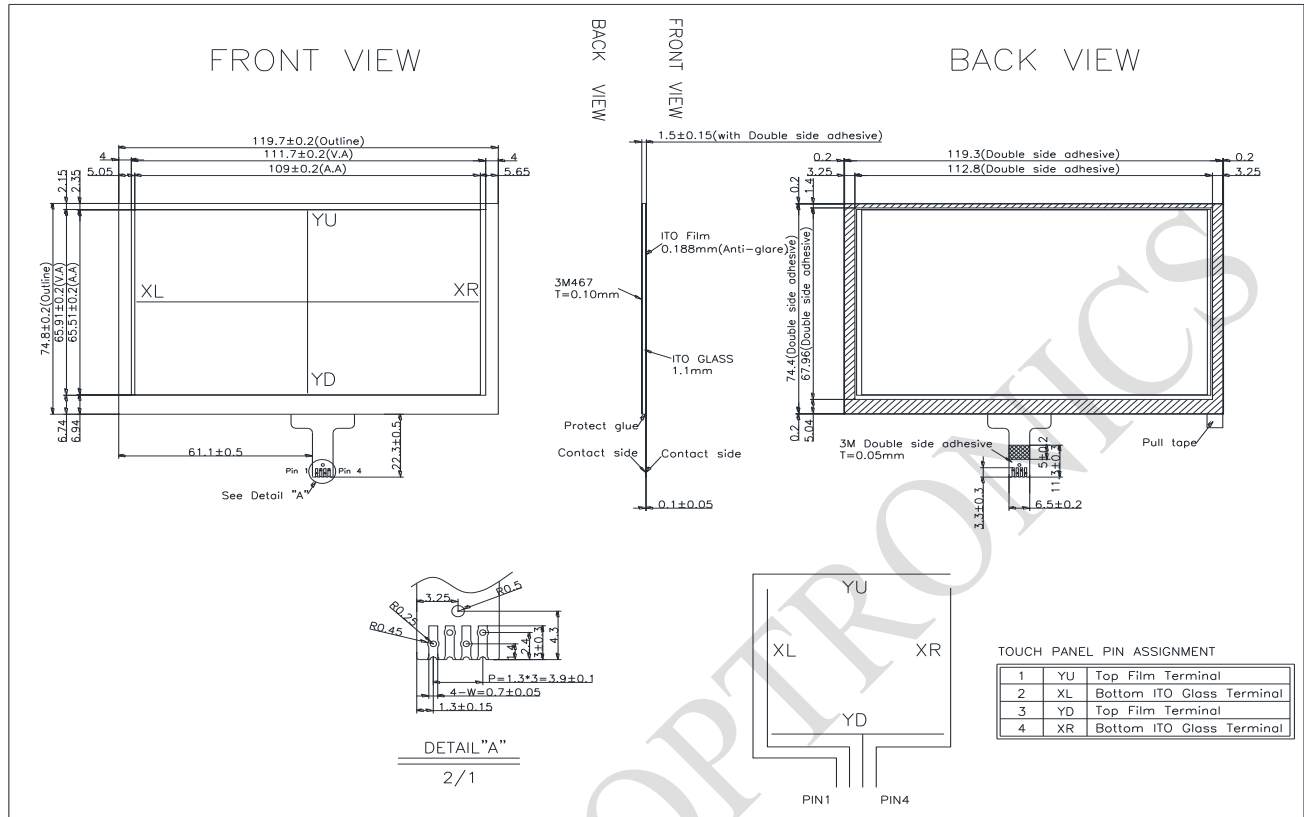
Environmental Test			
Test Item	Content of Test	Test Condition	Note
High Temperature storage	Endurance test applying the high storage temperature for a long time.	80°C 200hrs	2
Low Temperature storage	Endurance test applying the low storage temperature for a long time.	-30°C 200hrs	1,2
High Temperature Operation	Endurance test applying the electric stress (Voltage & Current) and the thermal stress to the element for a long time.	70°C 200hrs	—
Low Temperature Operation	Endurance test applying the electric stress under low temperature for a long time.	-20°C 200hrs	1
High Temperature/ Humidity Operation	The module should be allowed to stand at 60°C,90%RH max	60°C,90%RH 96hrs	1,2
Thermal shock resistance	The sample should be allowed stand the following 10 cycles of operation  <div style="text-align: center;">  <p>-20°C    25°C    70°C</p> <p>30min    5min    30min</p> <p>1 cycle</p> </div>	-20°C/70°C 10 cycles	—
Vibration test	Endurance test applying the vibration during transportation and using.	Total fixed amplitude : 1.5mm Vibration Frequency : 10~55Hz One cycle 60 seconds to 3 directions of X,Y,Z for Each 15 minutes	3
Static electricity test	Endurance test applying the electric stress to the terminal.	VS=±600V(contact) ,±800v(air), RS=330Ω CS=150pF 10 times	—

Note1: No dew condensation to be observed.

Note2: The function test shall be conducted after 4 hours storage at the normal Temperature and humidity after remove from the test chamber.

Note3: The packing have to including into the vibration testing.

# 12.Touch Panel Information



---

### 12.1. Resistance Touch Panel General Specifications

Item	Description
Insulating resistance	> 20M $\Omega$ , 25V(DC)
Light transparence	Min 70%
Structure type	Anti-Glare
X resistance	200~1200 $\Omega$
Y resistance	100~900 $\Omega$

RAYSTAR OPTRONICS

**LCM Sample Estimate Feedback Sheet**

**Module Number :** \_\_\_\_\_

**1 、 Panel Specification :**

1. Panel Type :	<input type="checkbox"/> Pass	<input type="checkbox"/> NG , _____
2. View Direction :	<input type="checkbox"/> Pass	<input type="checkbox"/> NG , _____
3. Numbers of Dots :	<input type="checkbox"/> Pass	<input type="checkbox"/> NG , _____
4. View Area :	<input type="checkbox"/> Pass	<input type="checkbox"/> NG , _____
5. Active Area :	<input type="checkbox"/> Pass	<input type="checkbox"/> NG , _____
6. Operating Temperature :	<input type="checkbox"/> Pass	<input type="checkbox"/> NG , _____
7. Storage Temperature :	<input type="checkbox"/> Pass	<input type="checkbox"/> NG , _____
8. Others :	_____	

**2 、 Mechanical Specification :**

1. PCB Size :	<input type="checkbox"/> Pass	<input type="checkbox"/> NG , _____
2. Frame Size :	<input type="checkbox"/> Pass	<input type="checkbox"/> NG , _____
3. Material of Frame :	<input type="checkbox"/> Pass	<input type="checkbox"/> NG , _____
4. Connector Position :	<input type="checkbox"/> Pass	<input type="checkbox"/> NG , _____
5. Fix Hole Position :	<input type="checkbox"/> Pass	<input type="checkbox"/> NG , _____
6. Backlight Position :	<input type="checkbox"/> Pass	<input type="checkbox"/> NG , _____
7. Thickness of PCB :	<input type="checkbox"/> Pass	<input type="checkbox"/> NG , _____
8. Height of Frame to PCB :	<input type="checkbox"/> Pass	<input type="checkbox"/> NG , _____
9. Height of Module :	<input type="checkbox"/> Pass	<input type="checkbox"/> NG , _____
10. Others :	<input type="checkbox"/> Pass	<input type="checkbox"/> NG , _____

**3 、 Relative Hole Size :**

1. Pitch of Connector :	<input type="checkbox"/> Pass	<input type="checkbox"/> NG , _____
2. Hole size of Connector :	<input type="checkbox"/> Pass	<input type="checkbox"/> NG , _____
3. Mounting Hole size :	<input type="checkbox"/> Pass	<input type="checkbox"/> NG , _____
4. Mounting Hole Type :	<input type="checkbox"/> Pass	<input type="checkbox"/> NG , _____
5. Others :	<input type="checkbox"/> Pass	<input type="checkbox"/> NG , _____

**4 、 Backlight Specification :**

1. B/L Type :	<input type="checkbox"/> Pass	<input type="checkbox"/> NG , _____
2. B/L Color :	<input type="checkbox"/> Pass	<input type="checkbox"/> NG , _____
3. B/L Driving Voltage (Reference for LED Type) :	<input type="checkbox"/> Pass	<input type="checkbox"/> NG , _____
4. B/L Driving Current :	<input type="checkbox"/> Pass	<input type="checkbox"/> NG , _____
5. Brightness of B/L :	<input type="checkbox"/> Pass	<input type="checkbox"/> NG , _____
6. B/L Solder Method :	<input type="checkbox"/> Pass	<input type="checkbox"/> NG , _____
7. Others :	<input type="checkbox"/> Pass	<input type="checkbox"/> NG , _____

>> Go to page 2 <<



Module Number : \_\_\_\_\_

**5、Electronic Characteristics of Module :**

1.Input Voltage :	<input type="checkbox"/> Pass	<input type="checkbox"/> NG , _____
2.Supply Current :	<input type="checkbox"/> Pass	<input type="checkbox"/> NG , _____
3.Driving Voltage for LCD :	<input type="checkbox"/> Pass	<input type="checkbox"/> NG , _____
4.Contrast for LCD :	<input type="checkbox"/> Pass	<input type="checkbox"/> NG , _____
5.B/L Driving Method :	<input type="checkbox"/> Pass	<input type="checkbox"/> NG , _____
6.Negative Voltage Output :	<input type="checkbox"/> Pass	<input type="checkbox"/> NG , _____
7.Interface Function :	<input type="checkbox"/> Pass	<input type="checkbox"/> NG , _____
8.LCD Uniformity :	<input type="checkbox"/> Pass	<input type="checkbox"/> NG , _____
9.ESD test :	<input type="checkbox"/> Pass	<input type="checkbox"/> NG , _____
10.Others :	<input type="checkbox"/> Pass	<input type="checkbox"/> NG , _____

**6、Summary :**

Sales signature : \_\_\_\_\_

Customer Signature : \_\_\_\_\_

Date : / /